

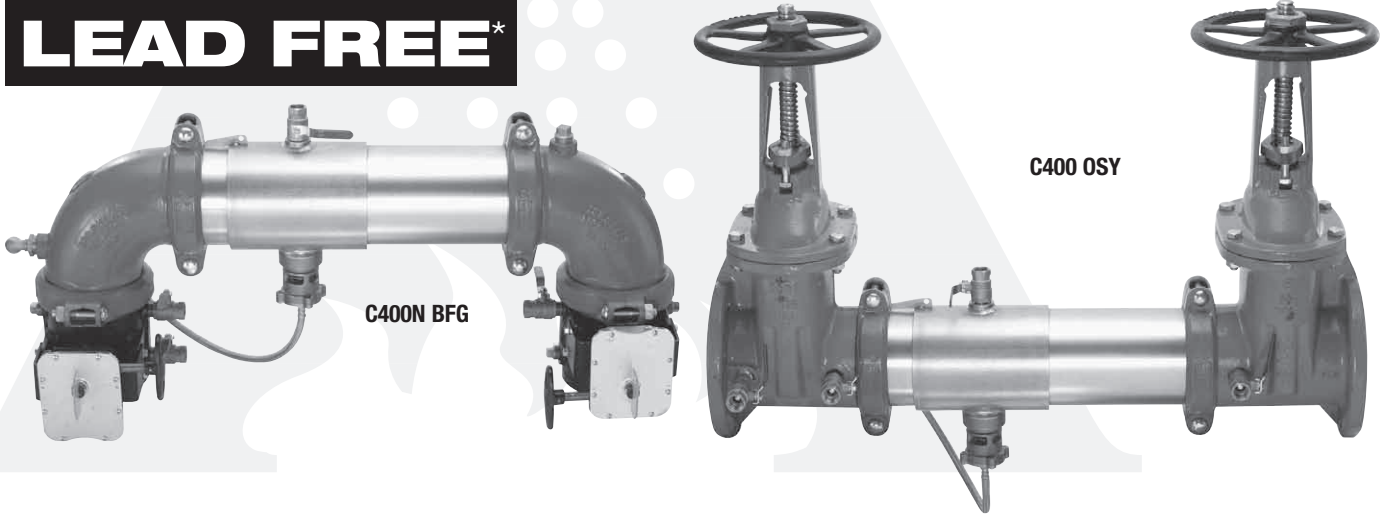


Colt™ Series C400, C400N, C400Z

Reduced Pressure Zone Assemblies

Sizes: 2½" – 10" (65 – 250mm)

LEAD FREE*



Features

- Extremely Compact Design
- 70% Lighter than Traditional Designs
- 304 (Schedule 40) Stainless Steel Housing & Sleeve
- Groove Fittings Allow Integral Pipeline Adjustment
- Patented Link Check Provides Lowest Pressure Loss
- Unmatched Ease of Serviceability
- Available with Grooved Butterfly Valve Shutoffs
- May be Used for Horizontal or N Pattern Installations
- Replaceable Check Disc Rubber

The Colt C400, C400N, C400Z Reduced Pressure Zone Assemblies provide protection to the potable water system from contamination in accordance with national plumbing codes. The Colt C400, C400N, C400Z are normally used in health hazard applications for protection against backsiphonage, backpressure and the fouling of either check valve.

Specifications

The Colt C400, C400N, C400Z Reduced Pressure Zone Assemblies shall consist of two independent Link Check modules, a differential pressure relief valve located between and below the two modules, two drip tight shutoff valves, and required test cocks. Link Check modules and relief valve shall be contained within a sleeve accessible single housing constructed from 304 (Schedule 40) stainless steel pipe with groove end connections. Link Checks shall have reversible elastomer discs and in operation produce drip tight closure against the reverse flow of liquid caused by backpressure or backsiphonage. Assembly shall be Colt C400, C400N, C400Z as manufactured by the Ames Company.

*The wetted surface of this product contacted by consumable water contains less than one quarter of one percent (0.25%) of lead by weight.

IMPORTANT: INQUIRE WITH GOVERNING AUTHORITIES FOR LOCAL INSTALLATION REQUIREMENTS

Job Name _____ Contractor _____

Job Location _____ Approval _____

Engineer _____ Contractor's P.O. No. _____

Approval _____ Representative _____

Ames product specifications in U.S. customary units and metric are approximate and are provided for reference only. For precise measurements, please contact Ames Technical Service. Ames reserves the right to change or modify product design, construction, specifications, or materials without prior notice and without incurring any obligation to make such changes and modifications on Ames products previously or subsequently sold.

Configurations

- Horizontal
- “Z” pattern horizontal
- “N” pattern horizontal

Materials

- Housing & Sleeve: 304 (Schedule 40) Stainless Steel
- Elastomers: EPDM, Silicone and Buna ‘N’
- Link Checks: Noryl®, Stainless Steel
- Check Discs: Reversible Silicone or EPDM
- Test Cocks: Bronze Body Nickel Plated
- Pins & Fasteners: 300 Series Stainless Steel
- Springs: Stainless Steel

Noryl® is a registered trademark of SABIC Innovative Plastics™.

Approvals



For additional approval information please contact the factory or visit our website at www.amesfirewater.com

Pressure — Temperature

Temperature Range: 33°F – 140°F (0.5°C – 60°C)

Maximum Working Pressure: 175psi (12.06 bar)

Note: When installing a drain line on Series C400 backflow preventer use 400/500 air gap. See ES-A-AG/EL/TC for additional information.

Available Models

Suffix:

NRS - non-rising stem resilient seated gate valves

OSY - UL/FM outside stem and yoke resilient seated gate valves

BFG - UL/FM grooved gear operated butterfly valves with tamper switch

*OSY FxG - Flanged inlet gate connection and grooved outlet gate connection

*OSY GxF - Grooved inlet gate connection and flanged outlet gate connection

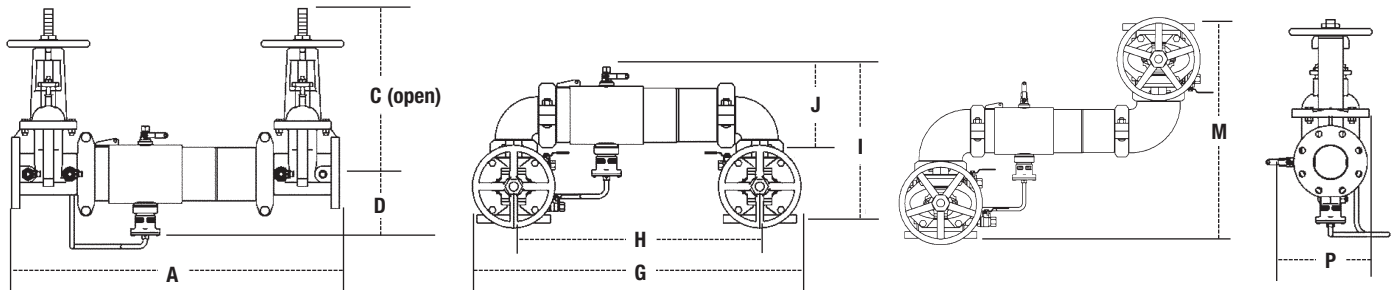
*OSY GxG - Grooved inlet gate connection and grooved outlet gate connection

Available with grooved NRS gate valves - consult factory*

Post indicator plate and operating nut available - consult factory*

*Consult factory for dimensions

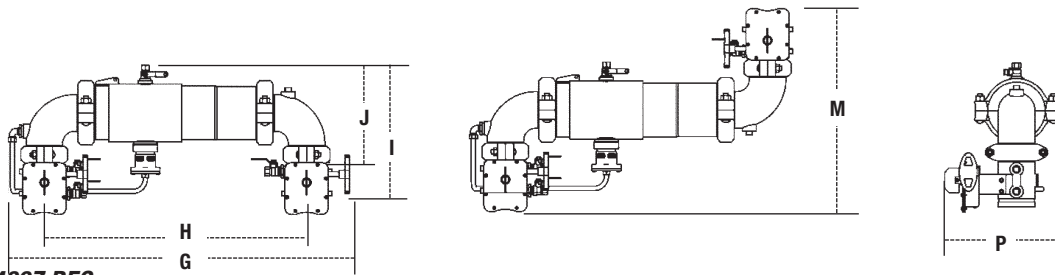
Dimensions — Weights



C400

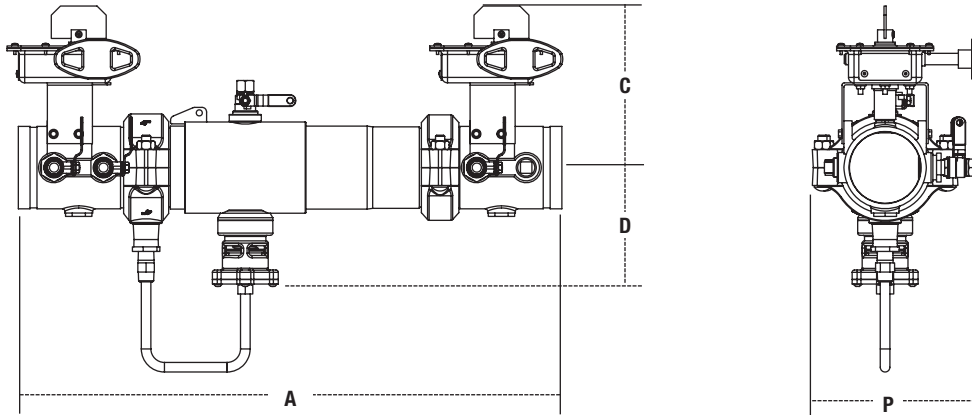
SIZE (DN)		DIMENSIONS										WEIGHT																	
		A		C (OSY)		C (NRS)		D		G		H		I		J		M		P		C400		C400N					
in.	mm	in.	mm	in.	mm	in.	mm	in.	mm	in.	mm	in.	mm	in.	mm	in.	mm	in.	mm	in.	mm	lbs.	kgs.	lbs.	kgs.	lbs.	kgs.	lbs.	kgs.
2½	65	31	787	16¾	416	9¾	238	6½	165	29¼	738	22	559	15½	393	8⅜	223	21¼	548	9¾	234	118	54	128	58	126	57	136	62
3	80	31⅛	805	18⅞	479	10¼	260	6⅛	170	30¼	768	22¾	578	17⅞	435	9⅞	233	23⅜	587	10½	267	134	61	148	67	147	67	161	73
4	100	33⅛	856	22¾	578	12⅞	310	7	178	33	838	24	610	18½	470	9⅞	252	26½	673	11¾	284	164	74	164	74	187	85	187	85
6	150	43½	1105	30⅞	765	16	406	8½	216	44¼	1137	33¾	857	23⅞	589	13⅞	332	32¼	832	15	381	276	125	298	135	317	144	339	154
8	200	50	1270	37¼	959	19⅞	506	9⅞	246	54⅞	1375	40⅞	1032	27⅞	697	15⅞	399	37⅞	943	17⅞	437	441	200	483	219	516	234	558	253
10	250	57½	1460	45¼	1162	23⅞	605	11¾	285	66	1676	50	1270	32½	826	17⅞	440	46⅞	1178	20	508	723	328	783	355	893	405	950	431

Dimensions — Weights



C400N BFG/C400Z BFG

SIZE (DN)		DIMENSIONS						WEIGHT							
in.	mm	G		H		I		J		M		P		C400N, C400Z	
		in.	mm	in.	mm	in.	mm	in.	mm	in.	mm	in.	mm	lbs.	kgs.
2½	65	32½	826	23½	597	15½	394	9½	241	21 ¹³ / ₁₆	555	11 ¹³ / ₁₆	300	67	30
3	80	34	864	24½	622	16 ⁵ / ₁₆	414	10 ¹ / ₁₆	256	23 ³ / ₈	587	12 ¹ / ₈	308	70	32
4	100	35 ⁵ / ₈	905	26	660	17 ³ / ₁₆	437	10 ¹⁵ / ₁₆	279	24 ¹⁵ / ₁₆	634	12 ⁵ / ₈	321	87	39
6	150	46½	1181	35 ¹ / ₁₆	908	20½	521	13½	343	28¼	718	15	382	160	73

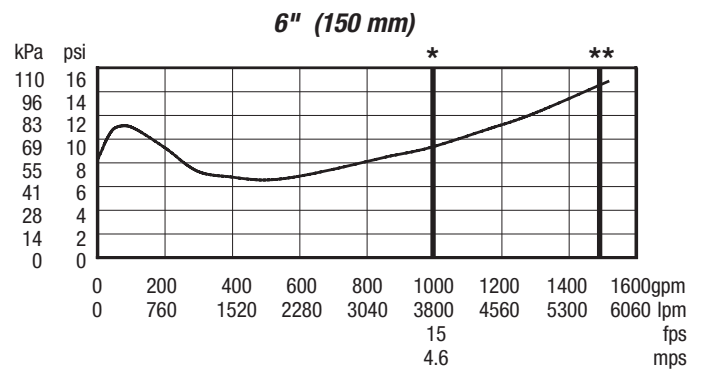
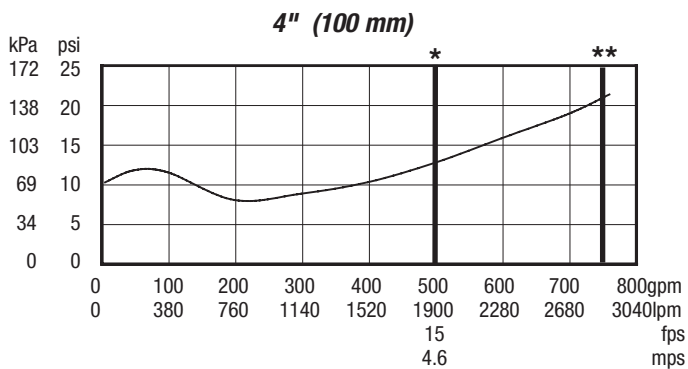


C400 BFG

SIZE (DN)		DIMENSIONS				WEIGHT					
in.	mm	A		C		D		P		lbs.	kgs.
		in.	mm	in.	mm	in.	mm	in.	mm		
4	100	29 ¹ / ₁₆	754	7¾	197	6 ³ / ₈	162	9½	241	66	30
6	150	37¾	959	9 ¹ / ₁₆	246	7 ¹ / ₁₆	189	14¼	362	122	55

Capacity - C400 BFG

* = Rated Flow ** = UL Tested

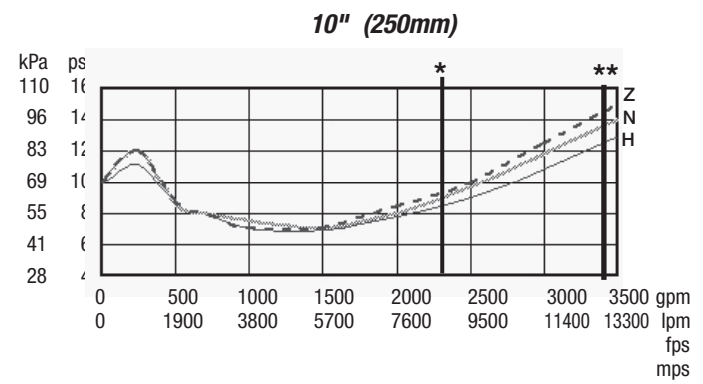
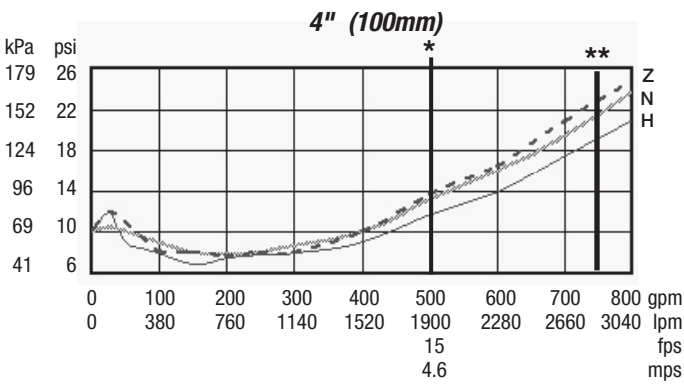
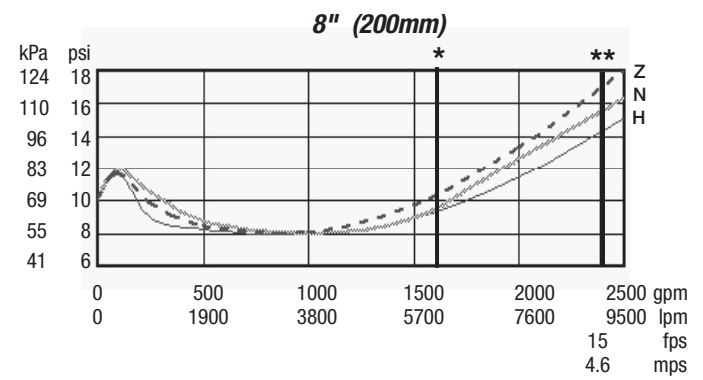
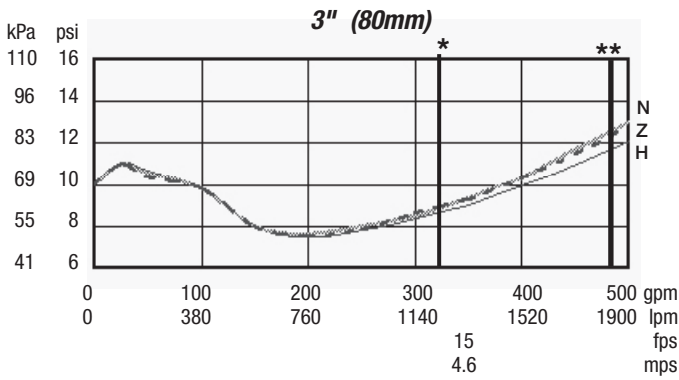
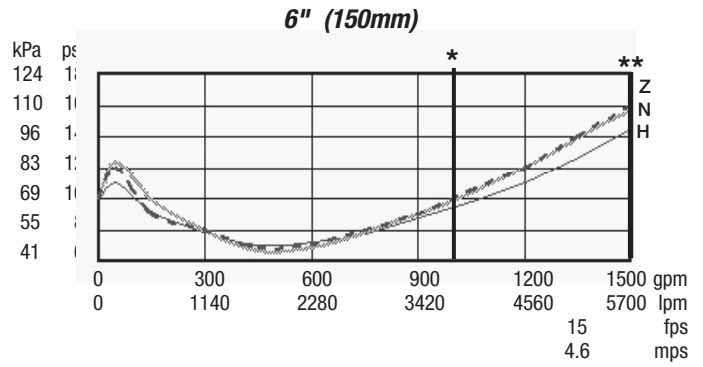
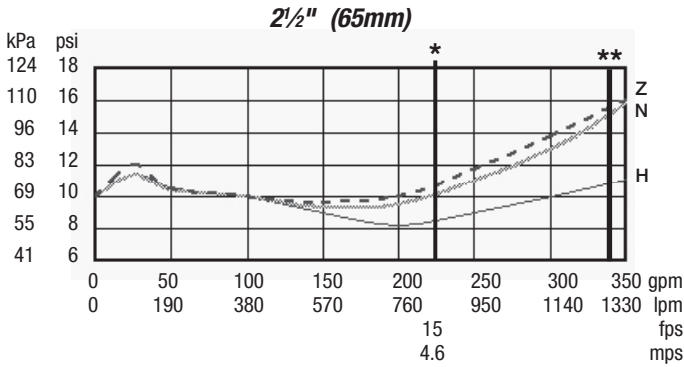


Capacity

UL/FM Certified Flow Characteristics
 N&Z Flow characteristics collected using butterfly shutoff valves.
 See literature S-Colt-400, 500 for gate valve flow characteristics

* = Rated Flow ** = UL Tested

—— Horizontal ——— N - Pattern - - - - - Z - Pattern



www.amesfirewater.com



ISO 9001-2000 CERTIFIED

A Watts Water Technologies Company

USA: Backflow- 1427 N. Market Blvd • Suite #9 • Sacramento, CA 95834 • T: 916-928-0123 • F: 916-928-9333

Control Valves- 18550 Hansen Road • Houston, TX 77075 • T: 713-943-0688 • F: 713-944-9445

Canada: 5435 North Service Rd. • Burlington, ONT. L7L 5H7 • T: 905-332-4090 • F: 905-332-7068