

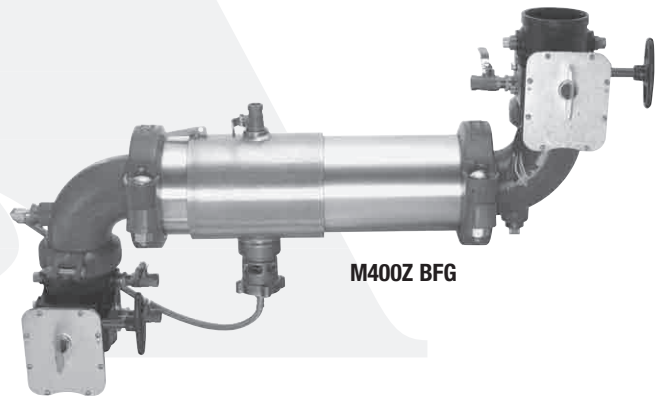
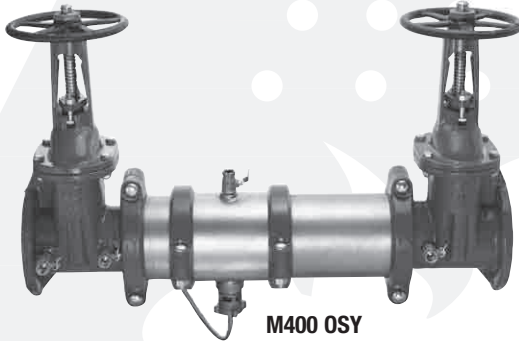


Maxim™ Series M400, M400N, M400Z

Reduced Pressure Zone Assemblies

Sizes: 2 1/2" – 10" (65 – 250mm)

LEAD FREE*



Features

- Extremely Compact Design
- 70% Lighter than Traditional Designs
- 304 (Schedule 40) Stainless Steel Housing & Sleeve
- Groove Fittings Allow Integral Pipeline Adjustment
- Patented Link Check Provides Lowest Pressure Loss
- Unmatched Ease of Serviceability
- Available with Grooved Butterfly Valve Shutoffs
- Available for Horizontal or N Pattern Installations
- Replaceable Check Disc Rubber

The Maxim M400, M400N, M400Z Reduced Pressure Zone Assemblies provide protection to the potable water system from contamination in accordance with national plumbing codes. The Maxim 400, 400N, 400Z are normally used in health hazard applications for protection against backsiphonage, backpressure and the fouling of either check valve.

Specifications

The Reduced Pressure Zone Assemblies shall consist of two independent Link Check modules, a differential pressure relief valve located between and below the two modules, two drip tight shut-off valves, and required test cocks. Link Check modules and the relief valve shall be contained within a sleeve accessible single housing constructed from 304 (Schedule 40) stainless steel pipe with groove end connections. Link Checks shall have reversible elastomer discs and in operation produce drip tight closure against the reverse flow of liquid caused by backpressure or backsiphonage. Assembly shall be Maxim M400, M400N, M400Z as manufactured by the Ames Company.

*The wetted surface of this product contacted by consumable water contains less than one quarter of one percent (0.25%) of lead by weight.

Job Name _____ Contractor _____

Job Location _____ Approval _____

Engineer _____ Contractor's P.O. No. _____

Approval _____ Representative _____

Ames product specifications in U.S. customary units and metric are approximate and are provided for reference only. For precise measurements, please contact Ames Technical Service. Ames reserves the right to change or modify product design, construction, specifications, or materials without prior notice and without incurring any obligation to make such changes and modifications on Ames products previously or subsequently sold.

Configurations

- Horizontal
- “Z” pattern horizontal
- “N” pattern horizontal

Materials

- Housing & Sleeve: 304 (Schedule 40) Stainless Steel
- Elastomers: EPDM, Silicone and Buna ‘N’
- Link Checks: Noryl®, Stainless Steel
- Check Discs: Reversible Silicone or EPDM
- Test Cocks: Bronze Body Nickel Plated
- Pins & Fasteners: 300 Series Stainless Steel
- Springs: Stainless Steel

Available Models

- NRS - non-rising stem resilient seated gate valves
- OSY - UL/FM outside stem and yoke resilient seated gate valves
- BFG - UL/FM grooved gear operated butterfly valves w/tamper switch

*OSY FxG - Flanged inlet gate connection and grooved outlet gate connection

*OSY GxG - Grooved inlet gate connection and flanged outlet gate connection

*OSY GxG - Grooved inlet gate connection and grooved outlet gate connection

Available with grooved NRS gate valves - consult factory*

Post indicator plate and operating nut available - consult factory*

*Consult factory for dimensions

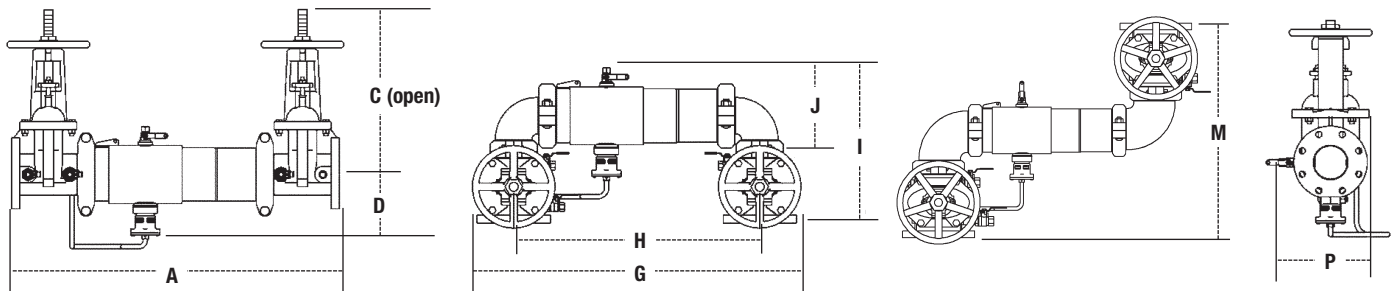
Pressure — Temperature

Temperature Range: 33°F – 110°F (0.5°C – 43°C)

Maximum Working Pressure: 175psi (12.1 bar)

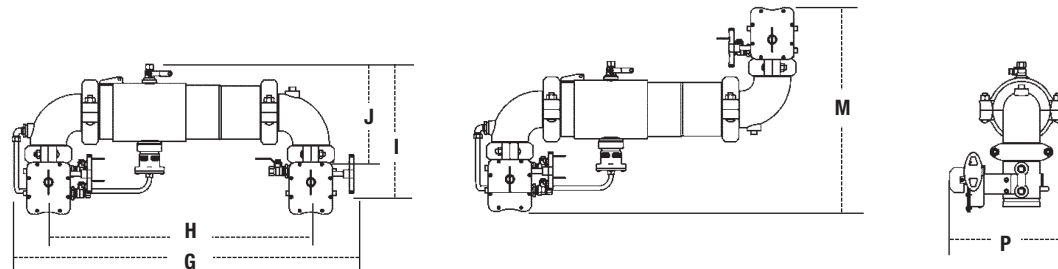
Note: When installing a drain line on Series M400 backflow preventer use 400, 500 air gap. See ES-A-AG/EL/TC for additional information.

Dimensions — Weights



M400, M400N, M400Z

SIZE (DN)		DIMENSIONS										WEIGHT																	
in.	mm	A	C (OSY)	C (NRS)	D	H	I	P	M	G	J	M400OSY	M400NRS	M400NOSY	M400NNRS														
		in.	mm	in.	mm	in.	mm	in.	mm	in.	mm	lbs.	kgs.	lbs.	kgs.	lbs.	kgs.												
2½	65	31	787	16¾	416	9¾	238	6½	165	22	559	15⅞	395	9¾	238	18⅞	459	29½	749	8⅞	223	128	58	118	54	136	62	126	57
3	80	31⅞	805	18¾	479	10¼	260	6⅞	170	22¾	578	16¼	413	10⅞	271	19¾	497	30½	775	9⅞	233	148	67	134	61	161	73	147	67
4	100	40½	1029	22¾	578	12⅞	310	8	203	30¾	768	19⅞	500	11⅞	287	21½	546	39¾	1010	11	280	222	101	222	101	245	111	245	111
6	150	48⅞	1224	30¾	765	16	406	9½	241	38	965	23⅞	580	15½	394	28¾	719	49	1244	14¾	358	393	178	371	168	433	196	411	186
8	200	55	1397	37¾	959	9⅞	506	10½	267	45¾	1159	27⅞	690	17¾	448	36¾	924	59¾	1502	16¾	425	567	257	525	238	643	292	601	273
10	250	57½	1460	45¾	1162	23⅞	605	11¾	285	50	1270	32½	825	20¾	516	44¾	1133	66	1676	17⅞	440	784	784	724	356	954	433	894	406



M400NBF, M400ZBF

SIZE (DN)		DIMENSIONS						WEIGHT							
in.	mm	H	I	P	M	G	J	lbs.	kgs.						
		in.	mm	in.	mm	in.	mm								
2½	65	23½	597	15⅞	398	11⅞	300	22⅞	580	32½	825	9½	242	67	30
3	80	24½	622	16⅞	415	12⅞	308	23¾	600	34	864	10⅞	255	70	32
4	100	32¾	832	18⅞	466	13⅞	354	24⅞	633	42½	1080	12	305	145	66
6	150	40	1016	21¾	553	16⅞	418	28¼	718	50⅞	1291	15⅞	386	254	115

Approvals



For additional approval information please contact the factory or visit our website at www.amesfirewater.com

Capacity

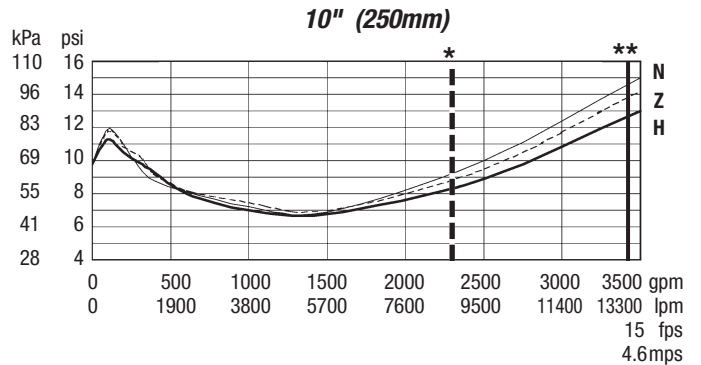
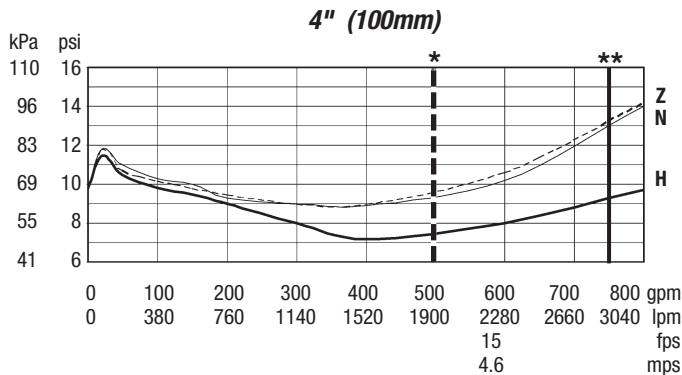
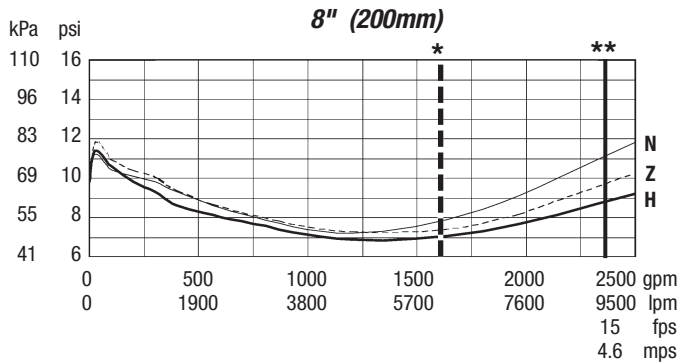
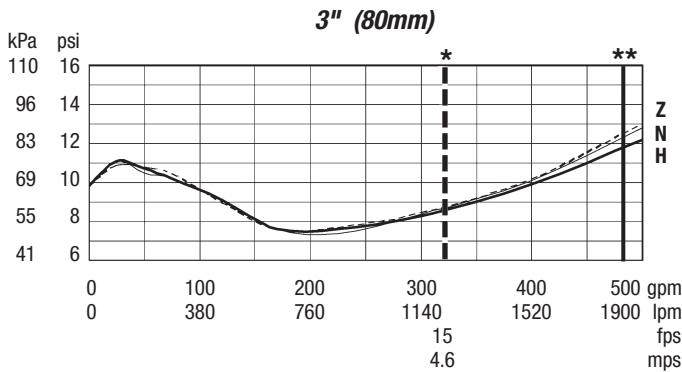
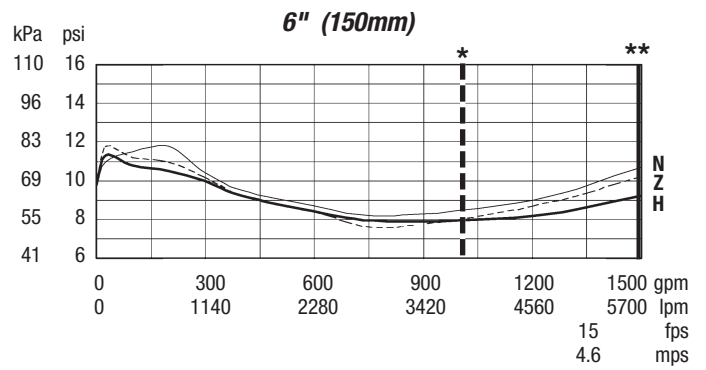
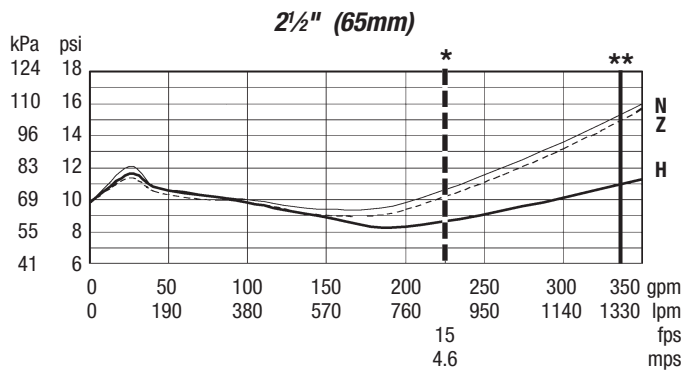
UL/FM Certified Flow Characteristics

Flow characteristics collected using butterfly shutoff valves.

See literature S-MAXIM-400, 500 for gate valve flow characteristics

* = Rated flow ** = UL Tested

— Horizontal — N-Pattern - - - - Z-Pattern



IMPORTANT: INQUIRE WITH GOVERNING AUTHORITIES FOR LOCAL INSTALLATION REQUIREMENTS

For additional information, visit our web site at: www.amesfirewater.com



www.amesfirewater.com



A Watts Water Technologies Company

USA: Backflow- T: 916-928-0123 • F: 916-928-9333

Control Valves- T: 713-943-0688 • F: 713-944-9445

Canada: T: 905-332-4090 • F: 905-332-7068

ES-A-M400/M400N/M400Z 1237

© 2012 Ames Fire & Waterworks