

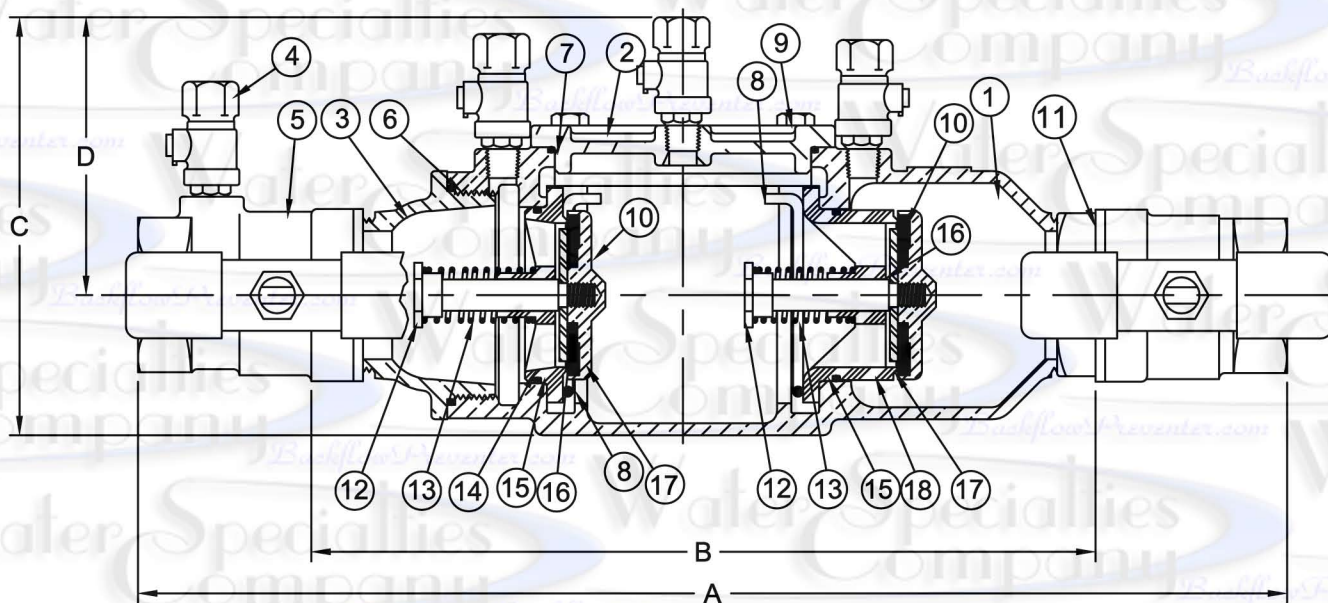
Sizes 2" / 50 mm

Water Specialties Company

Flomatic Corporation

Materials

1-800-336-6530



Item #	Qty	Description	Material	ASTM
1	1	Body	Unleaded Bronze	C89833
2	1	Cover	Unleaded Bronze	C89833
3	1	Tailpiece	Unleaded Bronze	C89833
4	4	Testcock	Unleaded Bronze	C90500
5	1	Ball Valve w/ Test Boss	Unleaded Bronze	C90500
6	1	Tailpiece O'Ring	Buna-n	-----
7	1	Cover O'Ring	Buna-n	-----
8	2	CV Spring Clip	Stainless Steel	302
9	4	Cap Screw	Stainless Steel	18-8
10	2	CV Disc Holder	Bronze	B140
11	1	Ball Valve	Unleaded Bronze	C90500
12	2	CV Stem	Bronze	B140
13	2	CV Spring	Stainless Steel	302
14	1	1st CV Seat Ring	Noryl GFN2-780S	-----
15	2	CV O'Ring	Buna-n	-----
16	2	CV Disc Retainer	Stainless Steel	304
17	2	CV Disc	Silicone Rubber	-----
18	1	2nd CV Seat Ring	Noryl GFN2-780S	-----

CV = Check Valve

Also available with BSPP & JIS threads less ball valves

Flomatic Corporation can accept no responsibility for possible errors in catalogues, brochures and other printed material. Flomatic Corporation reserves the right to alter its products without notices. This also applies to product already agreed. All trademarks in this material are property of the respective companies. All right reserved. ©2011 Flomatic Corporation. The drawings & information on this drawing sheet are the sole & exclusive property of Flomatic Corporation. Any reproduction, distribution, display or use of these drawings or information in whole or in part without written authorization of Flomatic Corporation is strictly prohibited.

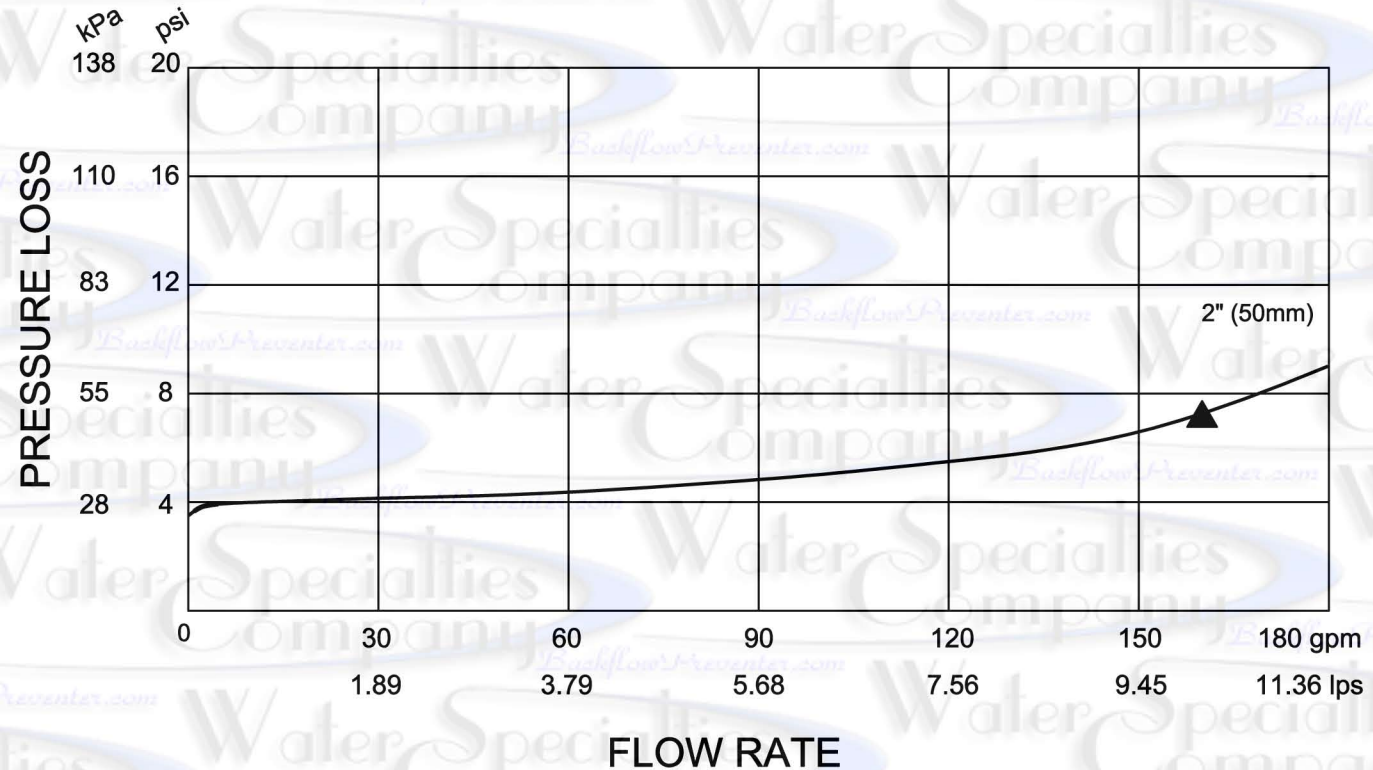
Sizes 2" / 50 mm

Flomatic Corporation



Headloss

FLOW CURVES w/ BALL VALVES



Water System Valves sold in California
61<5

The above marking certifies that this valve product has been tested by an ANSI, accredited certifying laboratory, in accordance to Standard 61 and has achieved a normalized concentration under static conditions, within the meaning of Standard 61, of five (5) or fewer parts per billion of lead.

Danfoss Flomatic Corporation
Glens Falls, NY
www.danfossflomatic.com

Dimensions

Max Temp 180°F (82°C)
Max Pressure 175psi (12bar)

Size		Part #	A		B		C		D		Width		Wgt with BV		Wgt less BV	
inch	mm		inch	mm	inch	mm	inch	mm	inch	mm	inch	mm	lbs	kg	lbs	kg
2	50	B9104E	20	508	12-1/2	318	6-1/2	165	4-3/8	111	4-3/4	121	28	12.75	17	7.75

Flomatic Corporation can accept no responsibility for possible errors in catalogues, brochures and other printed material. Flomatic Corporation reserves the right to alter its products without notices. This also applies to product already agreed. All trademarks in this material are property of the respective companies. All right reserved. ©2011 Flomatic Corporation. The drawings & information on this drawing sheet are the sole & exclusive property of Flomatic Corporation. Any reproduction, distribution, display or use of these drawings or information in whole or in part without written authorization of Flomatic Corporation is strictly prohibited.