

Backflow Preventer

Model PVB

FLOMATIC®

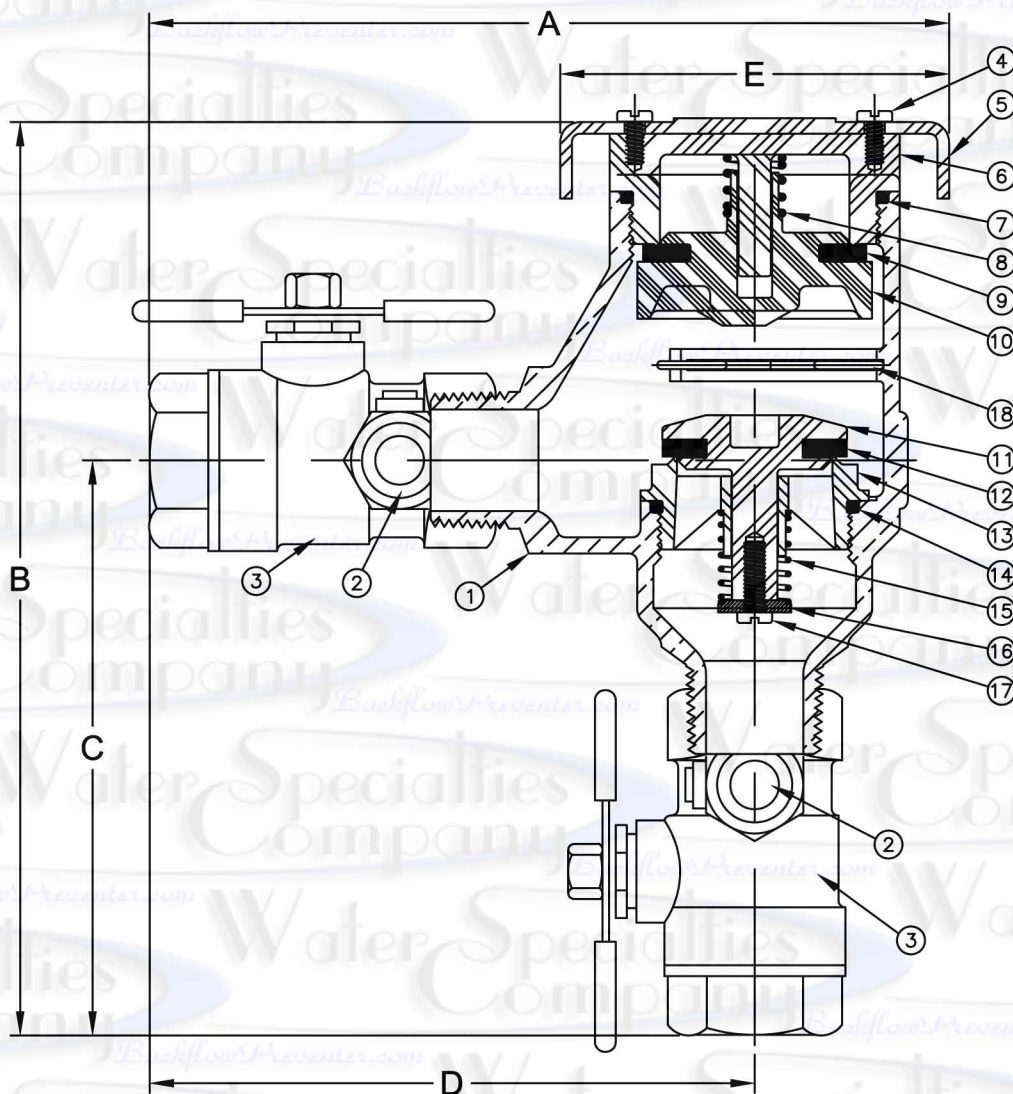
Sizes 3/4" & 1" / 20 mm & 25 mm

Water Specialties Company

Flomatic Corporation

1-800-336-6530

Materials



Max Temp 140°F (60°C)
Max Pressure 175psi (12bar)

Item #	Qty	Description	Material	ASTM	Item #	Qty	Description	Material	ASTM
1	1	Body	Bronze	B584	10	1	Vent Disc Holder	Polyethylene	-----
2	1	Testcock	Bronze	B584	11	1	CV Disc Holder	GFC BASF#GC25A	-----
3	1	Ball Valve w/ Test Boss	Bronze	B584	12	1	CV Disc	Silicone Rubber	-----
4	2	Screws	Stainless Steel	18-8	13	1	CV Seat Ring	Noryl GFN2-780S	-----
5	1	Canopy	ABS	-----	14	1	CV Seat O'Ring	Buna-n	-----
6	1	Bonnet	Noryl GFN2-780S	-----	15	1	CV Spring	Stainless Steel	302
7	1	Bonnet O'Ring	Buna-n	-----	16	1	CV Spring Retainer	Bronze	B140-83
8	1	Vent Spring	Stainless Steel	302	17	1	Screws	Stainless Steel	18-8
9	1	Vent Disc	Silicone Rubber	-----	18	1	Spring Clip	Stainless Steel	302

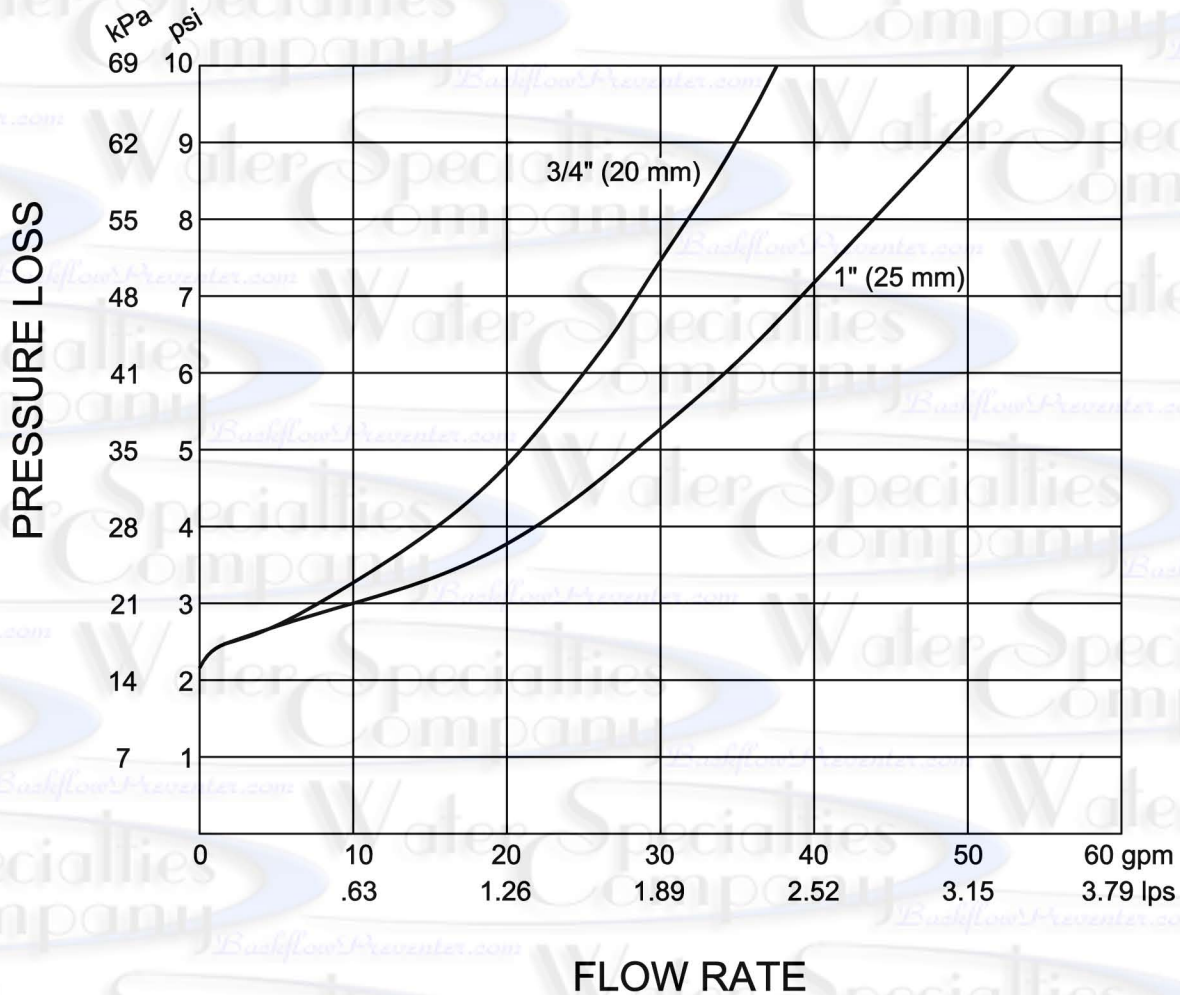
CV = Check Valve

Flomatic Corporation can accept no responsibility for possible errors in catalogues, brochures and other printed material. Flomatic Corporation reserves the right to alter its products without notices. This also applies to product already agreed. All trademarks in this material are property of the respective companies. All right reserved. ©2011 Flomatic Corporation. The drawings & information on this drawing sheet are the sole & exclusive property of Flomatic Corporation. Any reproduction, distribution, display or use of these drawings or information in whole or in part without written authorization of Flomatic Corporation is strictly prohibited.

Sizes 3/4" & 1" / 20 mm & 25 mm

Headloss

FLOW CURVES w/ BALL VALVES



Dimensions

Size		Part #	A		B		C		D		E		Width		Wgt w/ BV	
inch	mm		inch	mm	inch	mm	inch	mm	inch	mm	inch	mm	inch	mm	lbs	kg
3/4	20	B9500	6.17	157	7.09	180	4.44	113	4.67	119	3	76	3.86	98	3.40	1.5
3/4	20	B9500U	7.06	184	7.95	202	5.31	135	5.59	142	3	76	3.86	98	4.15	1.9
1	25	B9501	6.52	166	7.55	192	4.94	125	5.02	128	3	76	4	102	4.00	1.8
1	25	B9501U	7.52	191	8.55	217	5.94	151	6.02	153	3	76	4	102	5.00	2.3

Flomatic Corporation can accept no responsibility for possible errors in catalogues, brochures and other printed material. Flomatic Corporation reserves the right to alter its products without notices. This also applies to product already agreed. All trademarks in this material are property of the respective companies. All right reserved. ©2011 Flomatic Corporation. The drawings & information on this drawing sheet are the sole & exclusive property of Flomatic Corporation. Any reproduction, distribution, display or use of these drawings or information in whole or in part without written authorization of Flomatic Corporation is strictly prohibited.