

**SPECIFICATION SUBMITTAL SHEET**



**FEATURES**

- Sizes:  2 1/2"  3"
- Maximum working water pressure 175 PSI  
 Maximum working water temperature 140°F  
 Hydrostatic test pressure 350 PSI  
 End connections  
     (Grooved for steel pipe) AWWA C606  
     (Flanged) ANSI B16.1 Class 125

**OPTIONS**

- (Suffixes can be combined)
- with NRS shut-off valves (standard)
  - FS - with cast iron wye type strainer (flanged only)
  - FSC - with epoxy coated wye type strainer (flanged only)
  - G - with groove end gate valves
  - GF - with grooved inlet gate connection and flanged outlet gate connection
  - FG - with flanged inlet gate connections and flanged outlet gate connection
  - L - less shut-off valves (flanged body connections)
  - OSY - with OS & Y gate valves

**ACCESSORIES**

- Repair kit (rubber only)
- Thermal expansion tank (Model XT)
- OS & Y Gate valve tamper switch (OSY-40)
- QT-SET Quick Test Fitting Set
- Test Cock Lock (Model TCL24)

**APPLICATION**

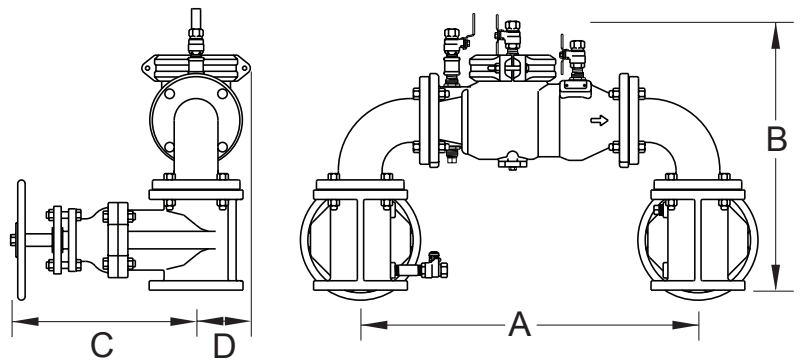
Designed for installation on potable water lines to protect against both backsiphonage and backpressure of polluted water into the potable water supply. The Model 450 shall provide protection where a potential health hazard does not exist. Ideal for use where lead-free\* valves are required.

**STANDARDS COMPLIANCE**

- ASSE® Listed 1015
- AWWA Compliant C510
- UL® Classified
- C-UL® Classified
- FM® Approved
- NYC MEA 213-99-M VOL 3
- Approved by the Foundation for Cross Connection Control and Hydraulic Research at the University of Southern California
- NSF® Listed-Standard 61, Annex G\*  
 \*(0.25% MAX. WEIGHTED AVERAGE LEAD CONTENT)

**MATERIALS**

- Main valve body Ductile Iron ASTM A 536 Grade 4
- Access covers Ductile Iron ASTM A 536 Grade 4
- Coatings FDA Approved fusion epoxy finish
- Internals Stainless steel, 300 Series NORYL™, NSF Listed
- Fasteners Stainless Steel, 300 Series
- Seal ring EPDM (FDA approved)
- O-ring Buna Nitrile (FDA approved)
- Springs Stainless Steel, 300 Series

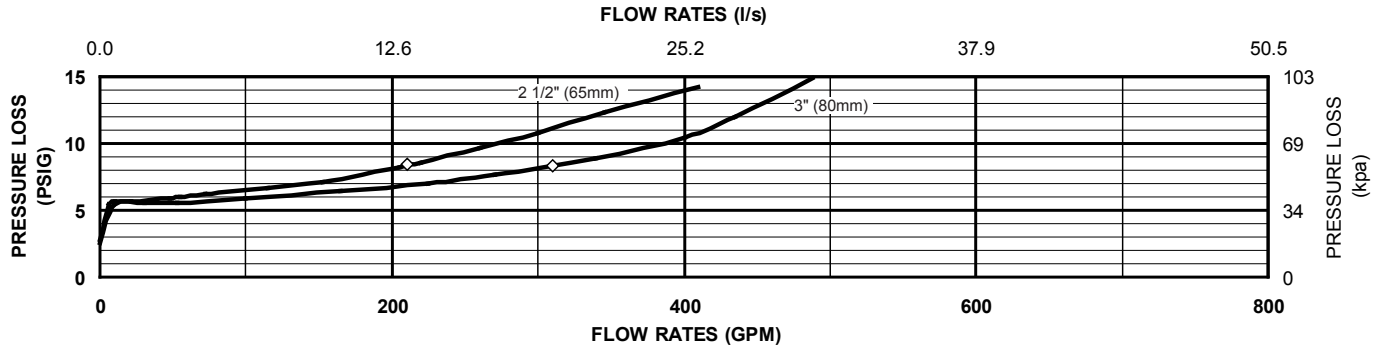


**DIMENSIONS & WEIGHTS (do not include pkg.)**

| MODEL 450 SIZE | DIMENSION (approximate) |    |     |        |             |        |               |        |             |        |     |       |                     |    | WEIGHT               |     |                       |     |      |  |
|----------------|-------------------------|----|-----|--------|-------------|--------|---------------|--------|-------------|--------|-----|-------|---------------------|----|----------------------|-----|-----------------------|-----|------|--|
|                | A                       |    | B   |        | C OS&Y OPEN |        | C OS&Y CLOSED |        | C NRS GATES |        | D   |       | WITHOUT GATE VALVES |    | WITH NRS GATE VALVES |     | WITH OS&Y GATE VALVES |     |      |  |
|                | in.                     | mm | in. | mm     | in.         | mm     | in.           | mm     | in.         | mm     | in. | mm    | lbs.                | kg | lbs.                 | kg  | lbs.                  | kg  |      |  |
| 2 1/2          | 65                      | 26 | 660 | 20 1/2 | 521         | 16 3/8 | 416           | 13 7/8 | 352         | 11 3/8 | 289 | 3 3/4 | 95                  | 80 | 36.3                 | 182 | 82.6                  | 190 | 86.3 |  |
| 3              | 80                      | 27 | 686 | 21 1/2 | 546         | 18 7/8 | 479           | 15 5/8 | 397         | 12 3/8 | 314 | 3 3/4 | 95                  | 83 | 37.7                 | 207 | 94                    | 213 | 96.7 |  |

# FLOW CHARACTERISTICS

## MODEL 450 2 1/2" & 3" (STANDARD & METRIC)

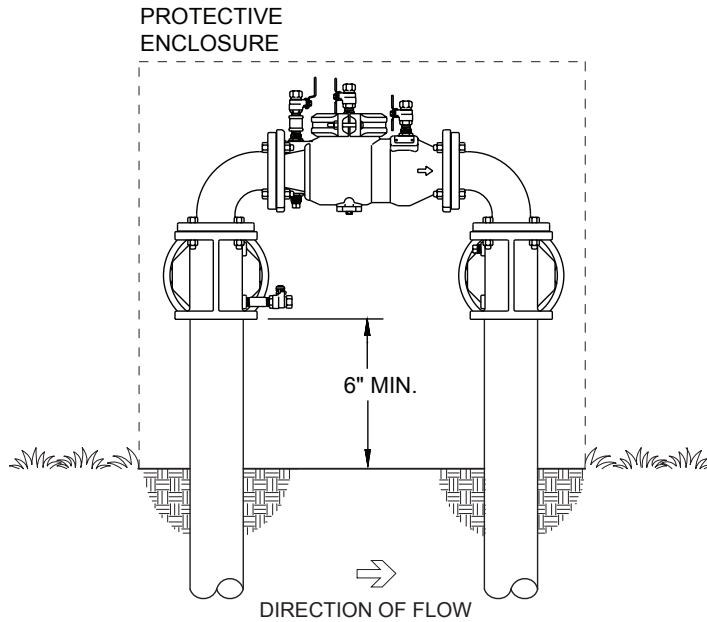


◇ Rated Flow (Established by approval agencies)

### TYPICAL INSTALLATION

Local codes shall govern installation requirements. Unless otherwise specified, the assembly shall be mounted above adequate drains with sufficient side clearance for testing and maintenance. The installation shall be made so that no part of the unit can be submerged.

| Capacity thru Schedule 40 Pipe (GPM) |          |            |           |           |
|--------------------------------------|----------|------------|-----------|-----------|
| Pipe size                            | 5 ft/sec | 7.5 ft/sec | 10 ft/sec | 15 ft/sec |
| 2 1/2"                               | 75       | 112        | 149       | 224       |
| 3"                                   | 115      | 173        | 230       | 346       |
| 4"                                   | 198      | 298        | 397       | 595       |
| 6"                                   | 450      | 675        | 900       | 1351      |
| 8"                                   | 780      | 1169       | 1559      | 2339      |
| 10"                                  | 1229     | 1843       | 2458      | 3687      |



OUTDOOR INSTALLATION

### SPECIFICATIONS

The Double Check Backflow Prevention Assembly shall be ASSE® Listed 1015, and supplied with full port gate valves. The main body and access cover shall be epoxy coated ductile iron (ASTM A 536 Grade 4), the seat ring and check valve shall be NORYL™, the stem shall be stainless steel (ASTM A 276) and the seat disc elastomers shall be EPDM. The checks shall be accessible for maintenance without removing the device from the line. The Double Check Backflow Prevention Assembly shall be a WILKINS Model 450.